



www.casambi.com



Casambi Knowledge Base



Download FREE Casambi
IOS/Android App



Specification Library

Project: _____

Reference Type: _____

Item Code: _____

Date: _____

Notes: _____



ATOM

In-wall Switch Battery Operated

US and Euro Standard Battery Version Available

The ATOM Wireless Wall-mount Switch is designed to replace traditional in-wall switch with battery operated transmitter, no wire connection. It is capable of providing multi-functions and allow battery control lighting devices in various platforms.



KEY FEATURES:

- Easy Installation, allows you to add a wall switch anywhere you want without running wires & paying for an electrician.
- Best low power load support, no bypass part or low power light adapter required
- Default local circuit operate and do not require system control
- BT 5.0 compatible Casambi BT 5.0 Mesh
- Power failure memory to return to its previous set level prior to the interruption of power
- Compatible to designer style wall-plates or standard off-the-shelf wall plates
- Fit in 1-gang U.S. wall-box ; 2 1/2" minimum depth recommended
- Neutral with required design make installation easier.
- Available color - white

SPECIFICATIONS

COMPATIBILITY	:	Casambi ; BT 5.0
INPUT	:	110 ~ 277VAC/47-63Hz
RELAY SWITCHING CAPABILITY	:	5A/120VAC; 3A/277VAC - Optional
OPERATING ENVIRONMENT	:	0 - 50 Deg. C
RADIO PROPERTIES	:	BT 5.0 2.4GHz
INTERNAL ANTENNA	:	Built-in
CONTROLS	:	4 to 8 buttons for on/off; dim; scene selection
DIMENSIONS	:	44.40 x 33.20 x 105mm (L x W x H)
WARRANTY	:	5 Year





www.casambi.com



Casambi Knowledge Base



Download FREE Casambi iOS/Android App



Specification Library

Project: _____
 Reference Type: _____
 Item Code: _____
 Date: _____
 Notes: _____



Project Name:	Model Number:
Type:	

ATOM In-wall Switch

Non-neutral and Standard | Casambi Compatible

ORDER INFORMATION: WS-QRZZ-SY-XT

Sample Order: WS-NC04-N2-0A4
 WS-QRZZ-SY- X T

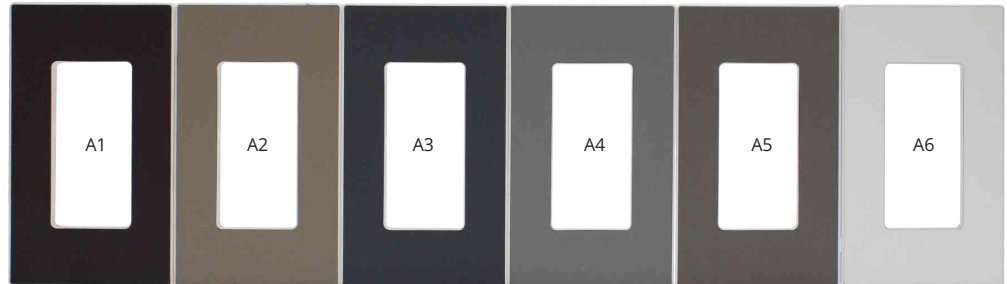
WS-	Q		R		ZZ-		S		Y-		X		T	
	RELAY FOR AC ON/OFF		LOCATION		NUMBER OF BUTTONS		NEUTRAL WIRE		WIRELESS COMMUNICATION PROTOCOL		0-10V DIMMING		FACE PLATE COLOR (Optional Note 1)	
WS-	T	For Yes	A	For USA: 110 – 277VAC input	04	4 Buttons	0	Yes (With) for Zigbee or Bluetooth	1	Zigbee	0	No (Only option for Battery)	A1	Dark Chocolate
			E	For Europe: 230VAC input									A2	Warm Caramel
			C	For USA: Battery operated	06	6 Buttons							N	No (Without), for Zigbee only
	D	For Europe: Battery operated *Note 1	08	8 Buttons	A5	Pebble Gray								
					A6	Off-White								
	N	For No (Only option for Battery)	C	For USA: Battery operated	08	8 Buttons	N	No (Only option for battery)	2	Bluetooth *Note 2	1	Yes	W	No face plate

Note 1: Not available, please call for more details.

Note 2: AC version, face plate is not included; Battery version, face plate is included A4 Silver Gray.

AVAILABLE PLATE COLOR

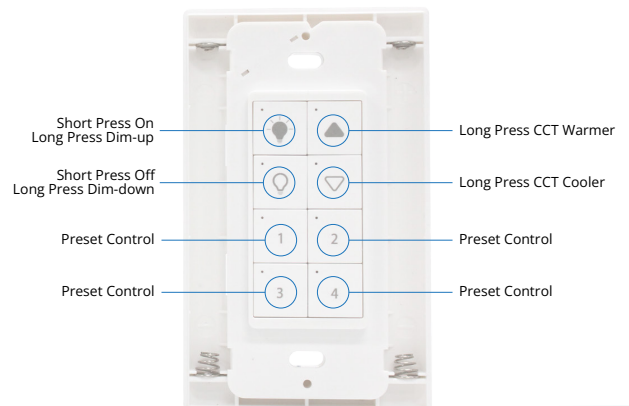
- A1 Dark Chocolate
- A2 Warm Caramel
- A3 Moon Rock
- A4 Silver Gray
- A5 Pebble Gray
- A6 Off-White



STANDARD PLACEMENT FOR TEXT AND ICON

Options:

- 4 Button Battery 2 Presets CCT Control
- 4 Button Battery 2 Presets Dim Up/Down Control
- 4 Button Battery 4 Presets
- 6 Button Battery 4 Presets CCT Control
- 6 Button Battery 4 Presets Dim Up/Down Control
- 8 Button Battery 4 Presets Dim Up/Down CCT Control





www.casambi.com



Casambi Knowledge Base



Download FREE Casambi
IOS/Android App



Specification Library

Project: _____

Reference Type: _____

Item Code: _____

Date: _____

Notes: _____



Project Name:	Model Number:
Type:	

ATOM In-wall Switch

Non-neutral and Standard | Casambi Compatible

Standard or Non-neutral



Battery Version



MARKINGS



Silk Screen Print



Laser Engraving



www.casambi.com



Casambi Knowledge Base



Download FREE Casambi
iOS/Android App



Specification Library

Project: _____
Reference Type: _____
Item Code: _____
Date: _____
Notes: _____

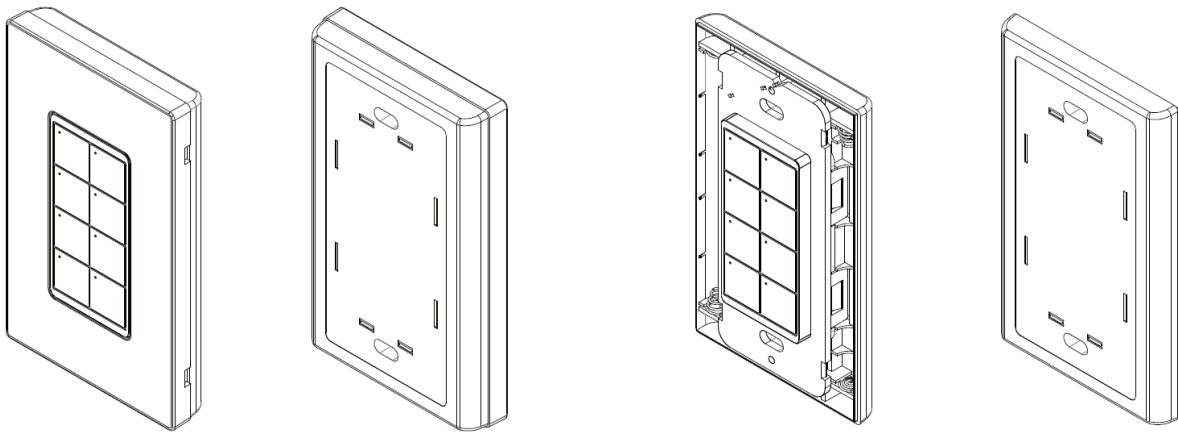


Project Name:	Model Number:
Type:	

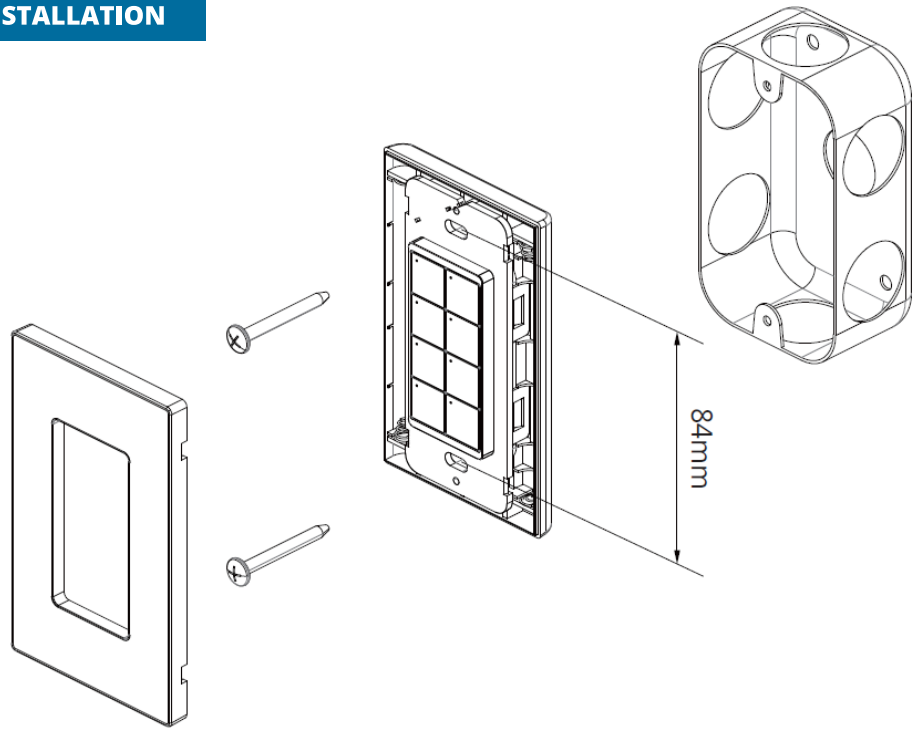
ATOM In-wall Switch

Non-neutral and Standard | Casambi Compatible

US STANDARD BATTERY VERSION



TYPICAL INSTALLATION





www.casambi.com



Casambi Knowledge Base



Download FREE Casambi
iOS/Android App



Specification Library

Project: _____

Reference Type: _____

Item Code: _____

Date: _____

Notes: _____

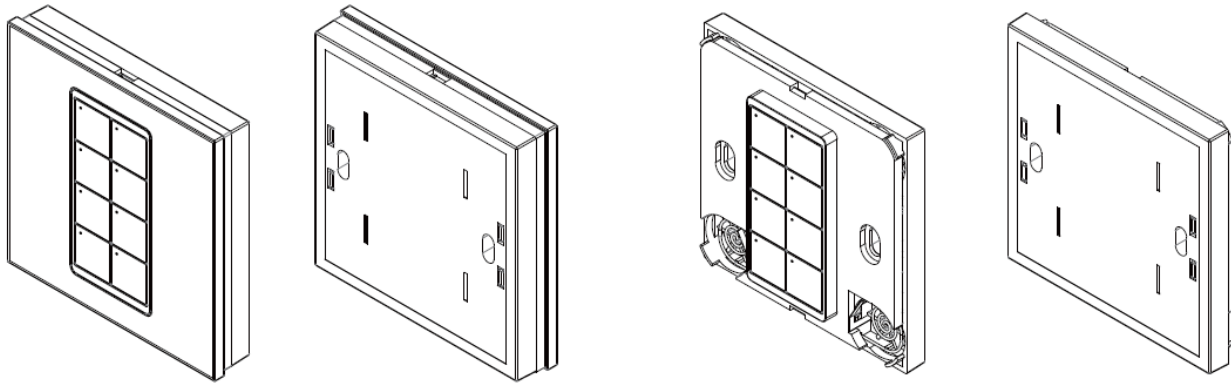


Project Name:	Model Number:
Type:	

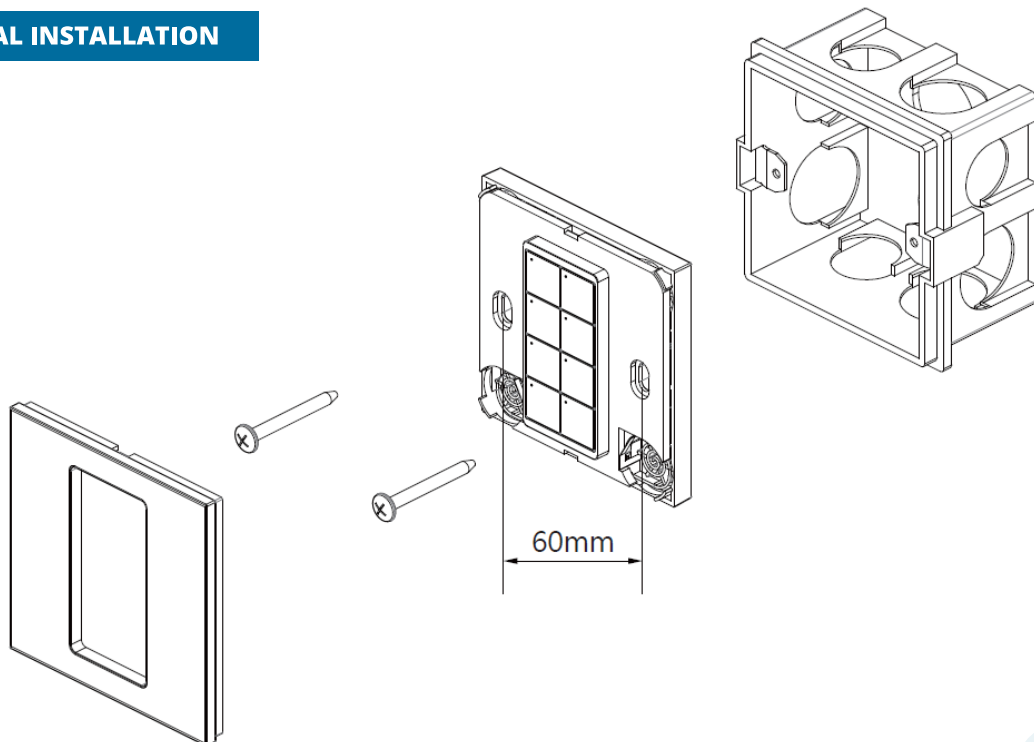
ATOM In-wall Switch

Non-neutral and Standard | Casambi Compatible

EURO STANDARD BATTERY VERSION



TYPICAL INSTALLATION





www.casambi.com



Casambi Knowledge Base



Download FREE Casambi
iOS/Android App



Specification Library

Project: _____

Reference Type: _____

Item Code: _____

Date: _____

Notes: _____

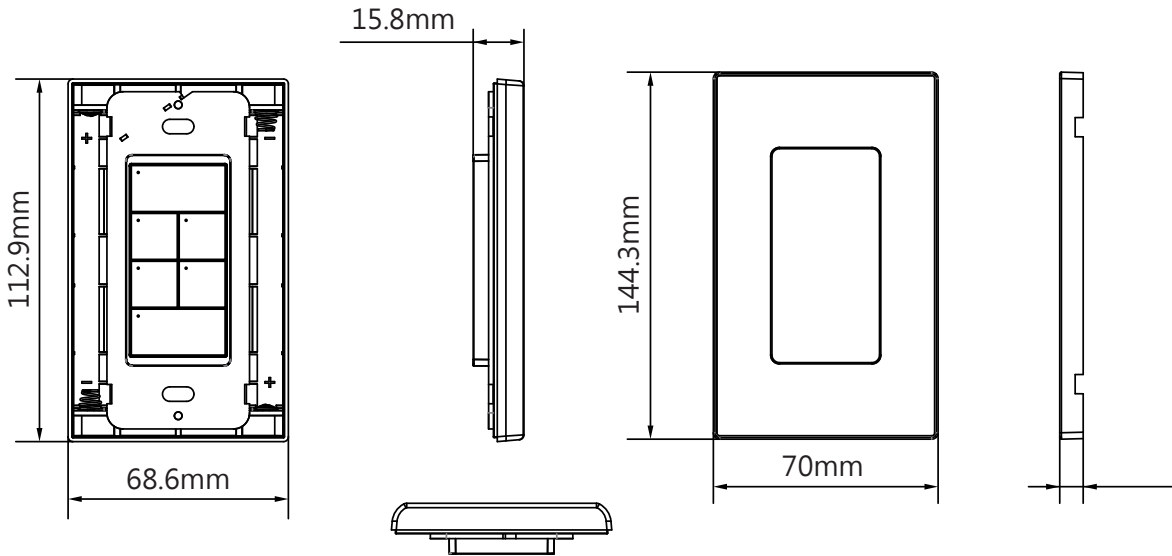


Project Name:	Model Number:
Type:	

ATOM In-wall Switch

Non-neutral and Standard | Casambi Compatible

THREE-DIMENSIONAL DEPTH - US VERSION



THREE-DIMENSIONAL DEPTH - EURO VERSION

