



www.casambi.com



Casambi Knowledge Base



Download FREE Casambi
IOS/Android App



Specification Library

Project: _____

Reference Type: _____

Item Code: _____

Date: _____

Notes: _____

CUPOWER

NARCP 15A-120V-W-CAS

Art. 168958

Product features

- 120 Vac input ; 15 A
- Tamper resistance
- Split receptacle
- Casambi Ready
- Manual and remote ON/OFF control
- Zero crossing detection improves relay life expectancy
- Indoor use only



Product specifications

168958 NARCP 15A-120V-W-CAS

Input current	15 A
Input voltage	120 Vac

Electrical specifications

Mains voltage supply

Rated input voltage range	120 Vac; RMS
Max. input voltage range	113...137 Vac; operational safety range
Rated frequency range	60 Hz
Incandescent	1000 W
Electronic ballast	5 A
Standard ballast	1200 VA
Resistive	1800 W (15 A)
Motor	1/2 HP
Wire strip length	16 mm (5/8 in.)
Supply connection	12~14 AWG wires
Screw torque	20 lbf-in
Bluetooth chip	PAN1780
Wireless type	2.4 GHz (type 1.B action, operating control)
Protocol	IEEE 802.11b/g/n
Face cover color	White (optional black)

Supplementary instructions

Be sure to read the instruction carefully before installation, and the manufacturer will not be responsible for any product damage that does not follow the instruction

- Wet hands are strictly prohibited.
- Must work strictly according to the rated load.
- Do not continue to work after self-disassembly of any nature and damage of external forces.

This receptacle may be used in new installations or to replace an existing wall receptacle.



www.casambi.com



Casambi Knowledge Base



Download FREE Casambi
IOS/Android App



Specification Library

Project: _____

Reference Type: _____

Item Code: _____

Date: _____

Notes: _____

CUPOWER

NARCP 15A-120V-W-CAS

Art. 168958

Warning: High voltage-to avoid fire, shock, or death. Turn off the power at the circuit breaker before you install this receptacle.

Environmental specifications

Operating temperature	0... +40°C
Storage temperature	-20... +60°C
Working humidity	10%...90%
Store humidity	5%...95%

Safety & EMC compliance

UL
UL244A
UL916
/
/
/

FCC
FCC 47 CFR Part 15 Subpart B
/
/
/
/

CSA
C22.2 NO. 205-17
/
/
/
/

Dimensions

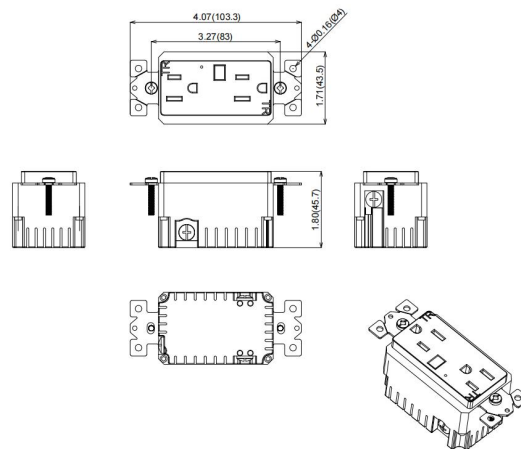
Housing dimensions

Length (L)	4.07 in (103.3 mm)
Width (W)	1.71 in (43.5 mm)
Height (H)	1.8 in (45.7 mm)

For all dimensions: values in in/mm; tolerances: ±0.2 mm

Packaging details

Packing units	40 pcs.
Carton size	14.0 × 11.2 × 12.4 in (355 x 285 x 315 mm)
Carton weight	6.5 kg
Product weight	0.117 kg





www.casambi.com



Casambi Knowledge Base



Download FREE Casambi
IOS/Android App



Specification Library

Project: _____

Reference Type: _____

Item Code: _____

Date: _____

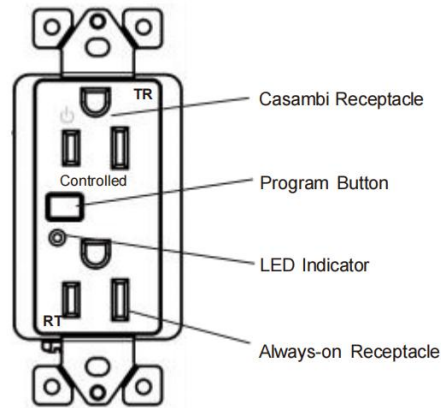
Notes: _____

CUPOWER

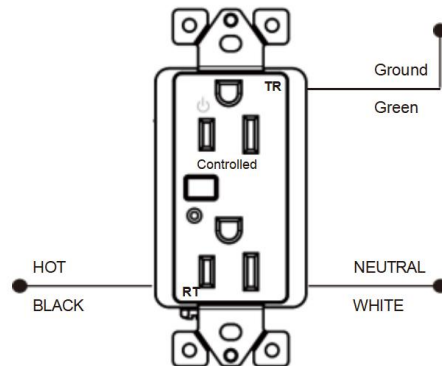
NARCP 15A-120V-W-CAS

Art. 168958

Operation



Wiring diagram



- For retrofit applications, remove the wall plate.
- Warning: Verify power is OFF before continuing.
- Remove the existing receptacle from the box.
- Disconnect the wiring from the existing receptacle.
- Connect the WIFI receptacle as shown in the wiring diagram: Black lead to hot wire, white lead to neutral wire, green lead to ground wire. Check connections to be sure they are tight and no bare conductors are exposed.
- Insert the receptacle into the standard outlet box carefully.
- Make sure the receptacle to the box using the supplied screws.
- Attach the wall plate.
- Restore power at the circuit breaker.