



www.casambi.com



Casambi Knowledge Base



Download FREE Casambi
iOS/Android App



Specification Library

Project: _____

Reference Type: _____

Item Code: _____

Date: _____

Notes: _____

Casambi Mesh Compact 0-10V Connectorized Wireless Controller

Overview

- Single Channel Controller with 0-10VDC Dimming Output
- Mounts to 1/2" Knockout (Light Fixture or Enclosure)
- Compatible with Casambi Wireless Mesh Systems
- Sensor/Control Output (Active High) for Relay/Load Control
- Compact Design
- Powered by 12 to 24 VDC
- Features High and Low-End Trim Adjustment, Zoning & Continuous Dimming
- ioXt Alliance Cybersecurity Certification



E341446

Summary

Product Type:
Single Channel Wireless Fixture Controller

Input Voltage | Current Consumption:
12 to 24 VDC | 50 mA

0-10VDC Output: 30mA Current Sinking

Load Control Output: 10 to 22 VDC 30mA
Control Signal (Active High)

Mounting: Fixture or Enclosure (1/2"
Knockout)

Max Bluetooth Range¹:
100ft (30.4m)

Operating Temperature:
-40°F to 158°F (-40°C to 70°C)

Storage Temperature:
-40°F to 185°F (-40°C to 85°C)

Relative Humidity:
90-95% non-condensing

Color: White

Warranty: 5 years

Note:

1. Bluetooth Range is highly dependent on the integration of fixtures, surrounding environment and conditions. It is recommended to conduct testing for Bluetooth range accuracy.

Applications

The PSC-ZMV-WCM-100-BLE-CB is a Single Channel Wireless Fixture Controller with active high output for relay control.

The controller mounts in a 1/2" knockout and secured by the included option clips or via the threaded body. The product includes a connector-based wiring harness to ease installation.

This device is controlled wirelessly via Casambi Mesh technology allowing for wireless dimming of luminaires. The compact size ensure a minimal installation in a luminaire or enclosure.

Accessories

Power Pack: The PSC-ZMV-WCM-100-BLE-CB operates on 12-24VDC input power and requires a separate mwConnect power pack. See mwConnect line of Power Packs and Power Supplies.

Alternatively, the unit can also operate with a driver that has an auxiliary power output (12 or 24VDC).

Operation

Casambi Wireless Mesh Controls: The controller connects to a wireless mesh network via a mobile app, available as iOS or Android, to allow initial setup and subsequent parameters adjustments.

User Interface: Using the mobile app, features include: setup, control real time feedback, and scheduling without a gateway or internet access.

1-Channel: Outputs 0-10 dimming channel for driver control.

Relay Control: 10-22VDC active high output to control relays or other control circuitry.

See the mwConnect Casambi Commissioning User Manual for more information.



www.casambi.com



Casambi Knowledge Base



Download FREE Casambi
iOS/Android App



Specification Library

Project: _____

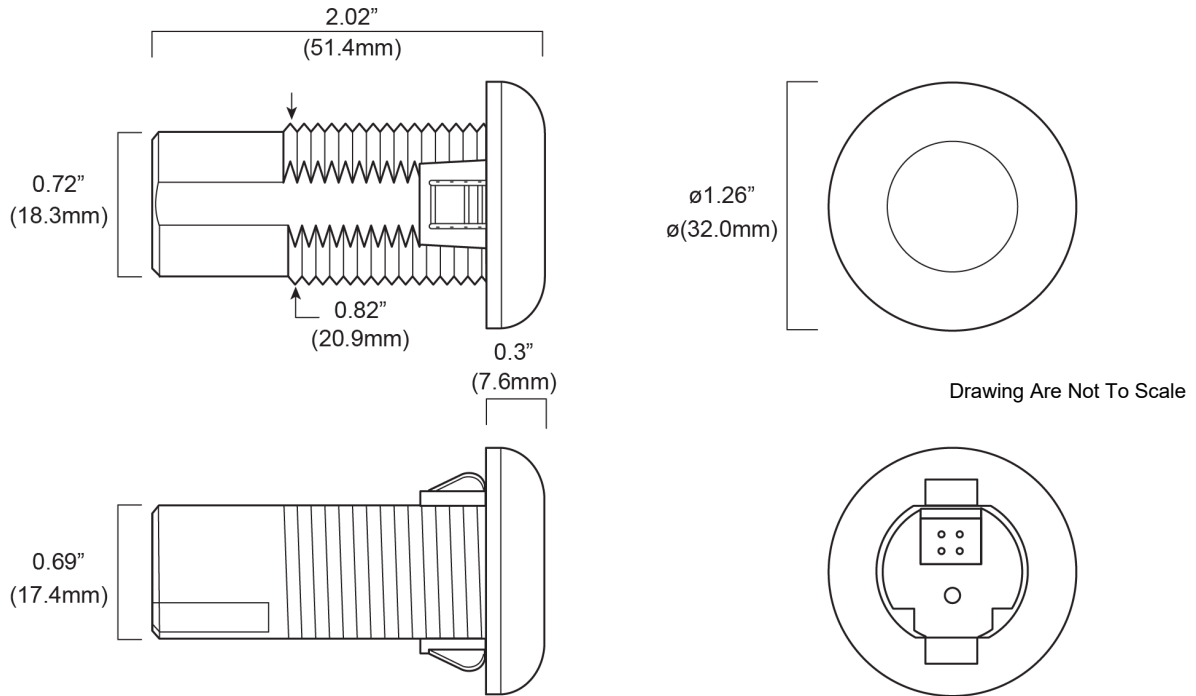
Reference Type: _____

Item Code: _____

Date: _____

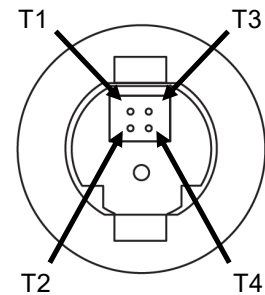
Notes: _____

Physical Dimensions



Controller Wiring

Tab/Slot	Designation	Notes
T1	12-24VDC+ Power To Controller	Red Wire (22AWG)
T2	12-24VDC- Power Common & 0-10VDC- Dimming Common	Black Wire (22AWG)
T3	0-10VDC+ Dimming Output	Purple/Violet Wire (22AWG)
T4	10-22VDC Load Control Output (Active High)	Yellow Wire (22AWG)





www.casambi.com



Casambi Knowledge Base



Download FREE Casambi
iOS/Android App



Specification Library

Project: _____

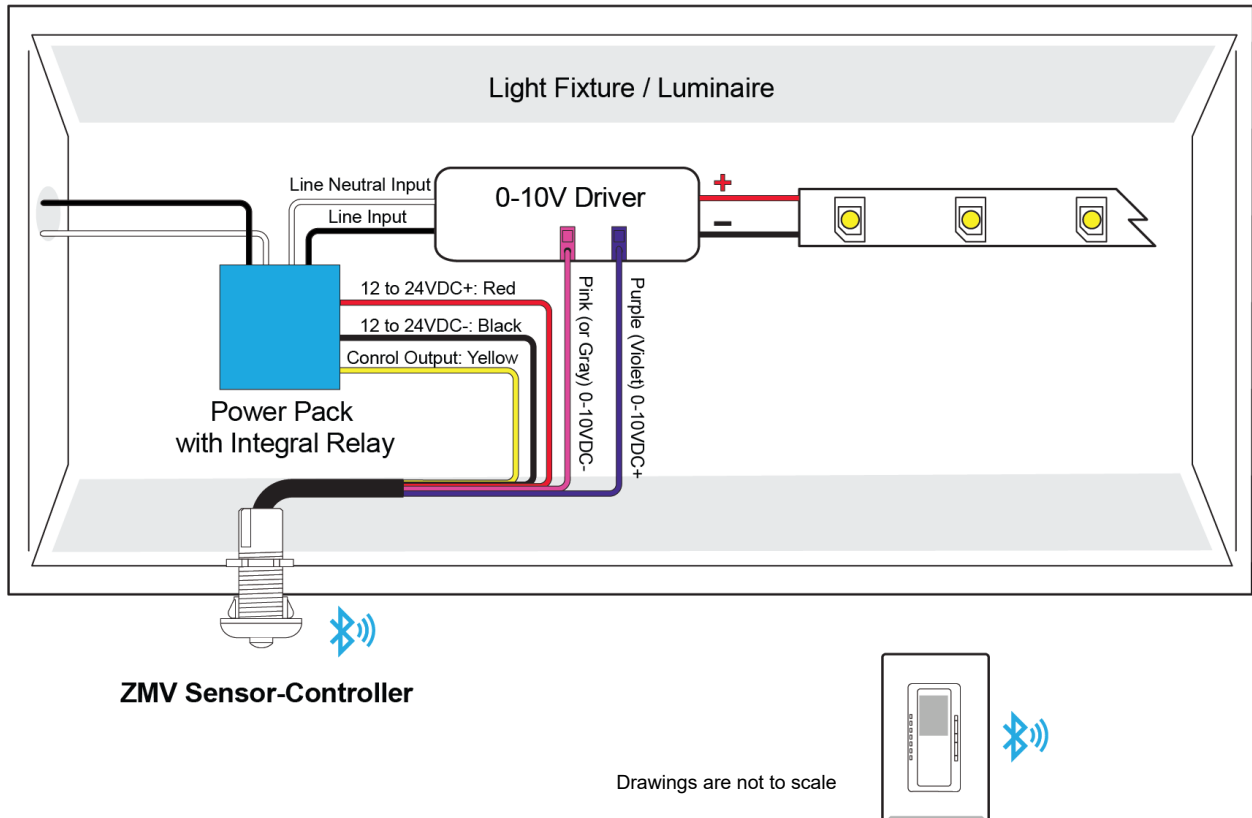
Reference Type: _____

Item Code: _____

Date: _____

Notes: _____

Example Application: Controller Installed with 0-10V Driver and 12 to 24VDC Power Pack



How To Order

Model No.	Description	Input Voltage	Output
PSC-ZMV-WCM-100-BLE-CB	Luminaire Controller with 0-10V Dimming, Casambi Mesh Technology White Finish	12-24VDC	Control High 0-10V Dimming